



臺灣杉毅事業有限公司

TAIWAN SANEAST ENTERPRISE, INC.

ML Series Mini Loader

ML series Mini Loader is used high effect carbon brush motor, small size, suitable 0~250KG/HR low capacity conveying.

Feature :

- Small size.
- High static pressure, Low noise.
- Vary easy to install, easy maintains, easy to operation.
- All material contact surface is SUS304 stainless steel.
- Hopper inside 250 mesh polish.
- Auto compress air blow back device.
- Microprocessor controller and easy operation
- Alarm signaling device for material shortage
- Magnetic level indicator



ML Series Mini Loader



Microprocessor controller



Head Office : No.207,Wu Gu Wang N.
St.,San Chung City 241 Taipei Hsien, Taiwan

TEL : 886-2-8511-0898

FAX : 886-2-8511-0359

<http://www.tsaneast.com.tw>

E-mail : tsaneast@ms5.hinet.net



臺灣杉毅事業有限公司

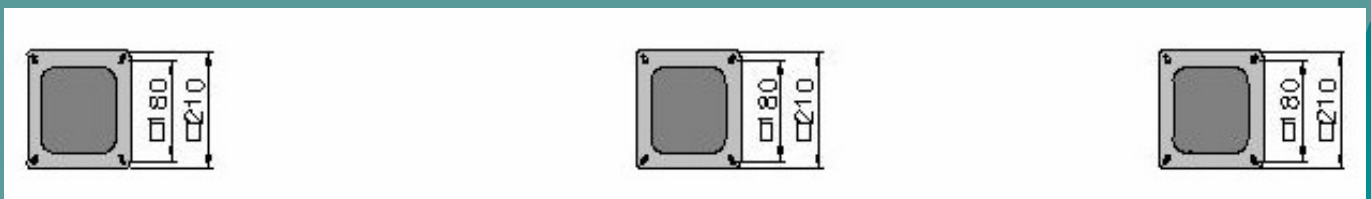
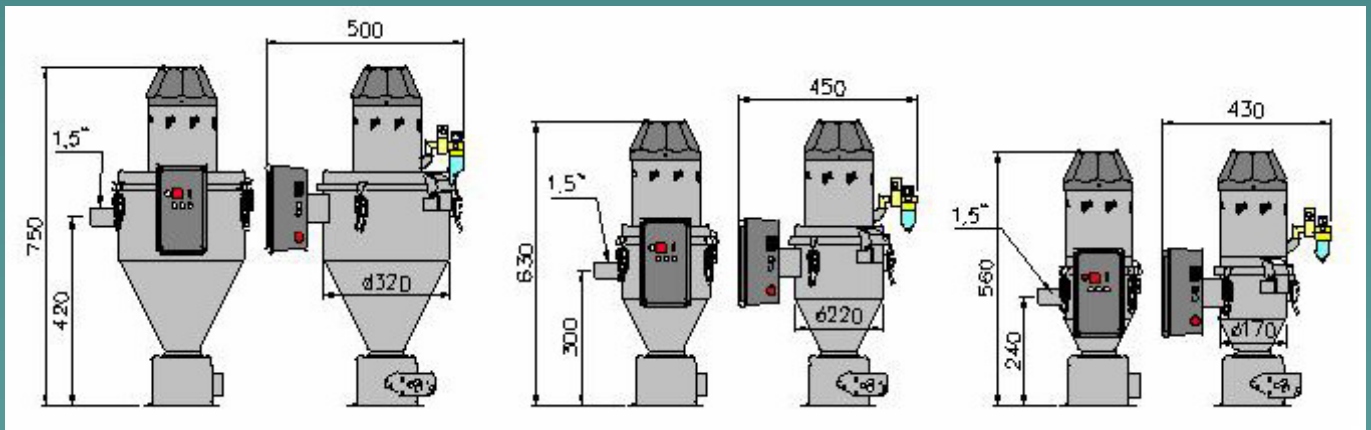
TAIWAN SANEAST ENTERPRISE, INC.

Specification :

Model	ML-3	ML-6	ML-12
Motor type	Carbon brush	Carbon brush	Carbon brush
Motor (KW)	1.15	1.15	1.15
Material DUCT (mm)	38.1	38.1	38.1
Capacity (KG/HR)	200	300	400
Auto clean	Yes	Yes	Yes
Hopper volume (Liter)	3	6	12
H (mm)	560	630	750
W (mm)	430	450	500
D (mm)	400	420	470
Weight (KG)	13	15	17.5

Remark :

1. All material contact surface is SUS304 stainless steel and 200 mesh polished.
2. The specification list showing convey capacity is up to material of bulk density 0.65g/cm^3 , Vertical height 4M, horizontal distance 1M.
3. Sight glass and level sensor is option.
4. Buffer hopper is option.



Head Office : No.207, Wu Gu Wang N. St., San Chung City 241 Taipei Hsien, Taiwan

TEL : 886-2-8511-0898

FAX : 886-2-8511-0359

<http://www.tsaneast.com.tw>

E-mail : tsaneast@ms5.hinet.net